

Lab 4: The Diode

P116A, 2018

1 Pre-lab Calculations

- 1) Suppose a diode is in forward bias with a resistor $R = 10\text{ k}\Omega$ in series while connected to a 10 V DC source. Estimate the effective resistance of the diode. Hint: assume a typical diode drop of 0.6 V and consider an equivalent voltage divider consisting entirely of resistors.
- 2) Consider the circuit in Fig. 1a and assume $R_1 = 1.8\text{ k}\Omega$ and the peak-to-peak voltage is $V_{pp} = 5\text{ V}$. What is the peak current through the diode? The math is easier if you assume a diode drop of 0.7 V, so go ahead and do so!
- 3) What is the ripple current for an AC source with amplitude 10 V and frequency 100 Hz driving a load of $R_L = 18\text{ k}\Omega$ in the circuit in Fig. 5 for (A) $C = 1\text{ }\mu\text{F}$ and (B) $C = 100\text{ }\mu\text{F}$?

2 Introduction

In this lab, you will measure the IV curve of a diode, use it to predict the operating point of a circuit, and use rectification to provide a DC current source with low ripple voltage. In the process, you will learn how to use the Math mode of your scope to make a differential voltage measurement.

3 Measuring the I - V Curve of a Diode

In this section you will measure the I - V curve of a 1N914 diode, and compare your results to the curves available from the device data sheet. To avoid taking a bunch of measurements by hand, we will use a trick to plot the curve directly on your oscilloscope using the XY mode.

Consider (but don't build!) the circuit in Fig. 1a. The voltage between points P_2 and P_1 is proportional to the current passing through the diode, and the voltage between points P_1 and G is the voltage across the diode. So if we could display $P_2 - P_1$ versus $P_1 - G$ on your scope we could use this circuit. Unfortunately, this is not possible on your scope, because (1) the only valid place to put the scope probe ground shield clips is at the point G (Why?) and (2) you can only display Channel 1 versus Channel 2 in XY mode.

The solution is to drive two copies of the diode in series resistor, with the component order reversed, as in Fig. 1b. This way, we can connect the probe ground shields as required at point G , put the voltage across the diode on scope Channel 1 by connecting the probe tip at P_1 , and put the voltage across the resistor (proportional to current through the diode) on scope Channel 2 by connecting the probe tip at P_2 .

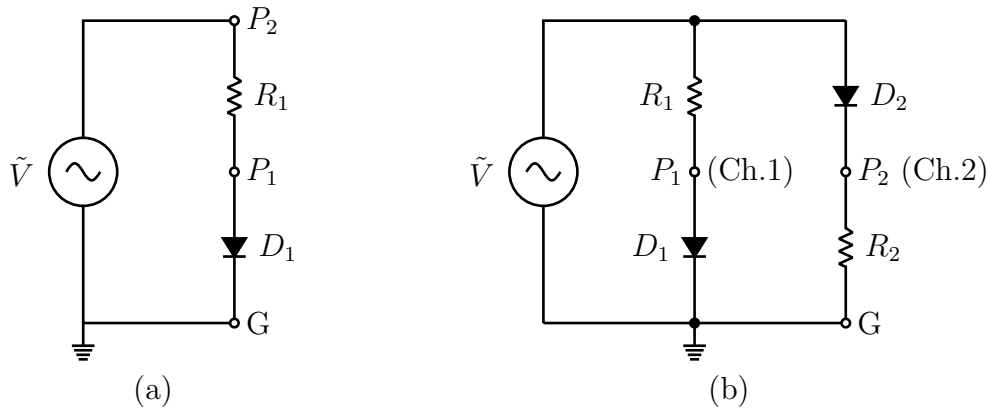


Figure 1: Diode circuits for (a) demonstrating rectification and (b) plotting the diode IV curve on your oscilloscope.

Build the circuit in Fig. 1b using a 1N914 fast switching diode for D_1 and D_2 and $R_1 = R_2 = 10\text{ k}\Omega$. Set your function generator for high-impedance output, providing AC with peak to peak voltage of 20 V at a frequency of 100 Hz. Before switching to XY mode, make certain that your Channel 1 has no voltage offset (that is, zero voltage is located at the origin) or else your diode output voltage won't be calibrated properly in your output plot. Once you set this, try not to adjust the offset of Channel 1 or you'll have to redo it! To minimize noise, set the bandwidth limit "On" for both channels (this is available in the menu for each input channel as "BW Limit").

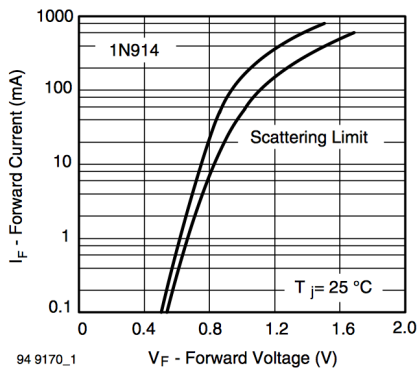
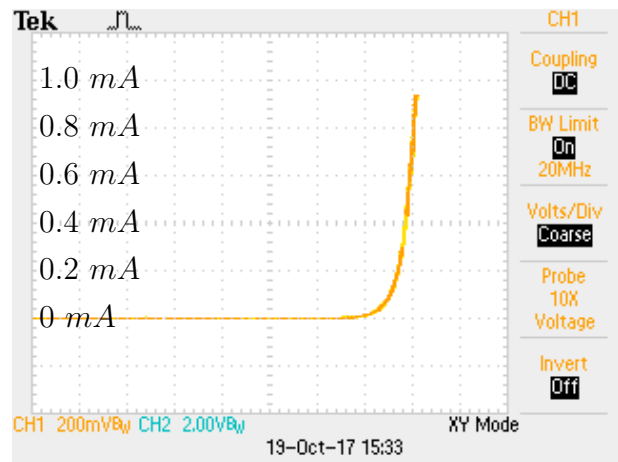


Fig. 1 - Forward Current vs. Forward Voltage

(a)



(b)

Figure 2: IV curves for the 1N914 from (a) data sheet, and (b) as you will measure in this lab. In the scope trace, the Channel 2 (Y) with scale set to 2 V measures the voltage across a 10 kΩ resistor, so each division corresponds to 200 μA as indicated.

Set the scope into XY mode, and see if you can reproduce the diode IV curve in Fig 2b. Beats jotting down voltages in your logbook doesn't it? Now jot down the voltage you expect across the diode for a current of 1 mA in your logbook. Where they overlap, does your measured IV curve agree with the curve from the component data sheet in Fig. 2a?

4 Rectifying an AC Signal

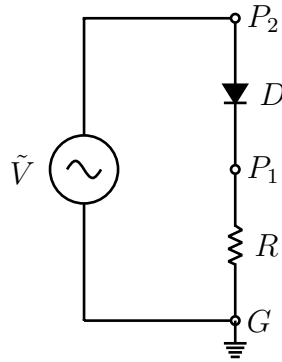


Figure 3: A diode rectification circuit.

Set your function generator to provide an AC source with frequency 100 Hz and peak-to-peak voltage $V_{pp} = 5$ V. Build the circuit in Fig. 3 using a 1N914 diode for D and $R = 1.8$ k Ω .

With your scope probe ground shield clips both properly connected to the ground at G , monitor the voltage at points P_1 and P_2 . Sketch the voltage across the resistor R and the voltage supplied by the function generator versus time on the same plot in your lab book.

Using your scopes amplitude measurement feature, measure precisely (i.e. to within 50 mV precision) the voltage drop across the diode at the peak current value, by measuring the difference between Channel 1 and Channel 2 of your scope at the peak. Is this operating point consistent with your results from the previous section and the pre-lab calculations?

5 Building a DC voltage source

Now build the DC source circuit in Fig. 4 using a 1N914 diode for D and $R_L = 18$ k Ω . Adjust your function generator to provide a peak-to-peak voltage $V_{pp} = 20$ V.

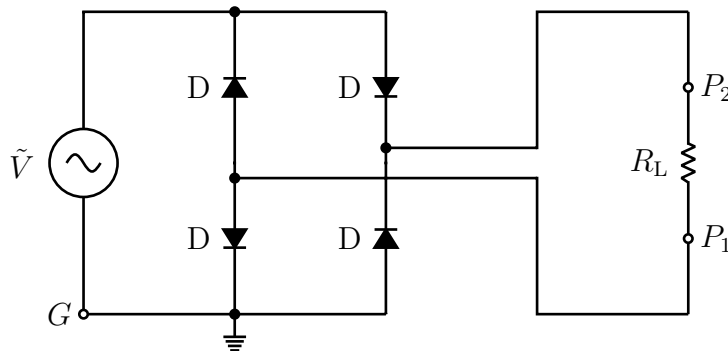


Figure 4: A full-wave rectifier. Note that crossed lines without a dot are *not connected*.

To measure the performance of our DC source, we would like to measure the voltage across the resistor R_L on the scope. However, notice that the ground for the circuit is located at point G , so you cannot measure the voltage between P_1 and P_2 using a single probe. To make the measurement,

connect both probe ground shield clips to the point G as required, and connect the probe tips to points P_1 and P_2 . Next, use your scope's Math mode to subtract Channel 1 from Channel 2. The result of this operation is the voltage across the resistor R_L .

Sketch the current as a function of time for a few cycles, and measure the amplitude. In your lab report, explain the shape and the amplitude.

6 Controlling the Ripple

In class, we derived the following formula for the ripple voltage (the residual AC voltage after rectification) for a full-wave rectifier with a capacitance C :

$$\Delta V = \frac{I_{\max}}{2fC}$$

Add a capacitor with $C = 1 \mu\text{F}$ to your circuit, as in Fig. 5 and sketch the resulting waveform for the voltage across the load resistor as measured with your scope. Estimate the ripple voltage. As your DMM is a handheld device that is not DC coupled, you may use it to measure the voltage across R_L directly. Using your DMM, measure the voltage across R_L in both AC and DC mode. How does the AC measurement relate to the ripple voltage ΔV ? How do your various measurements compare to the voltages you calculated in pre-lab calculations?

For the last tweak, you are going to use a large electrolytic capacitor. **These capacitors are polarized, and will likely “let the smoke out” if you install them the wrong way.** Making sure the negative terminal is connected as indicated in Fig. 5, install a $C = 100 \mu\text{F}$ electrolytic capacitor in your circuit and measure the ripple voltage.

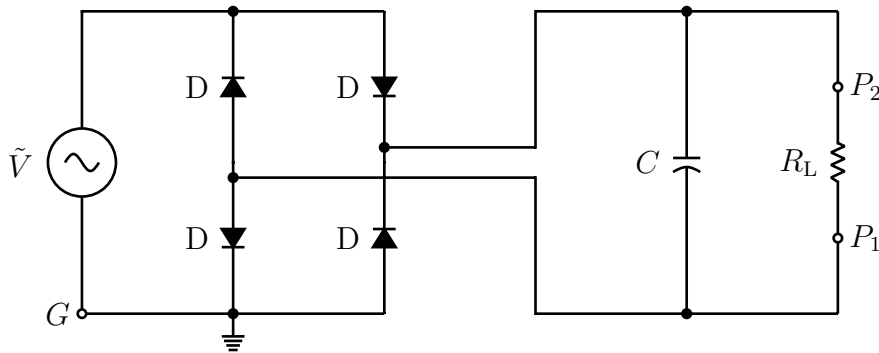


Figure 5: A full-wave rectifier with ripple voltage limiting capacitor. When using a polarized electrolytic capacitor, make certain that the negative terminal is connected to the lower half of the figure, as indicated.

7 Lab Report

Your report should include all of your measurements and a comparison with your calculation.