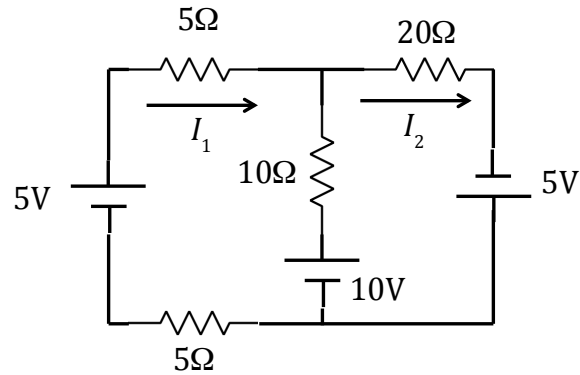


P116A Homework 1

Due 10/12/18 by noon

1. H&H 1.4 (p6)
2. Solve for I_1 and I_2 (including sign!) in the following circuit.



3. H&H 1.11 (p11)
4. H&H 1.33 (p52)
5. H&H 1.35 (p54)
6. Show that the root-mean-square average

$$V_{\text{rms}} \equiv \sqrt{\langle V^2(t) \rangle}$$

for a sinusoidal AC current given by:

$$V(t) = V_0 \sin(\omega t)$$

is:

$$V_{\text{rms}} = V_0/\sqrt{2}$$