

Lab 7: Operational Amplifiers

P116A, Fall 2018

1 Pre-lab Calculations

1) Calculate the gain for all four circuits in Fig. 3.

2 Introduction

Operational Amplifiers? They should call them fun amplifiers. Because, man, are they fun. Get ready for some fun!

We'll be building a number of op-amp circuits using the classic LM741 operation amplifier of Fig 1. We'll use an op-amp current source and differential amplifier to build a do-it-yourself transistor diode curve tracer and use it to measure the diode curve of a 2N3904 NPN transistor (see Fig 2).

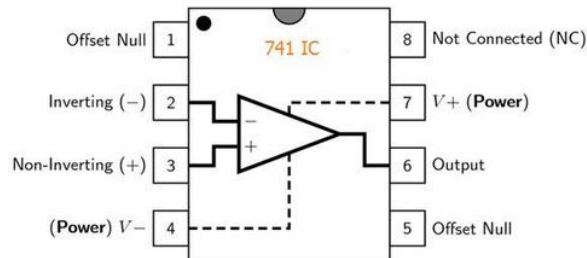


Figure 1: The LM741 8-DIP layout.

3 Common Op-Amp Circuits

In this section you will build the four common op-amp circuits shown in Fig. 3 using a single LM741 op-amp. In all four circuits use $R_1 = 22 \text{ k}\Omega$, $R_2 = 220 \text{ k}\Omega$, $R_3 = 22 \text{ k}\Omega$ wherever they appear. The power supply connections are not shown, but should be provided using both channels of your bench-top DC supply as $V_+ = +10 \text{ V}$ and $V_- = -10 \text{ V}$.

Start with the follower circuit (Fig. 3a) and confirm the gain using an input signal provided by your function generator with an AC signal with $V_{\text{RMS}} = 200 \text{ mV}$ at a frequency of 1 kHz. Whenever I use an op amp, I almost always first build a follower circuit. It's super easy to do, since it needs

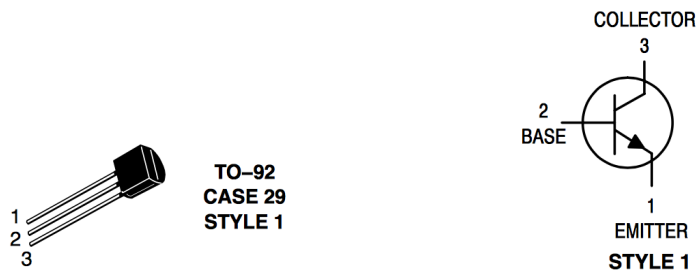


Figure 2: The TO-92 Style 1 package used for some discrete transistors, including the 2N3904 (NPN) and 2N3906 (PNP) transistors used throughout this lab. Note that not all transistors use the same pinout, even if they are in the TO-92 package.

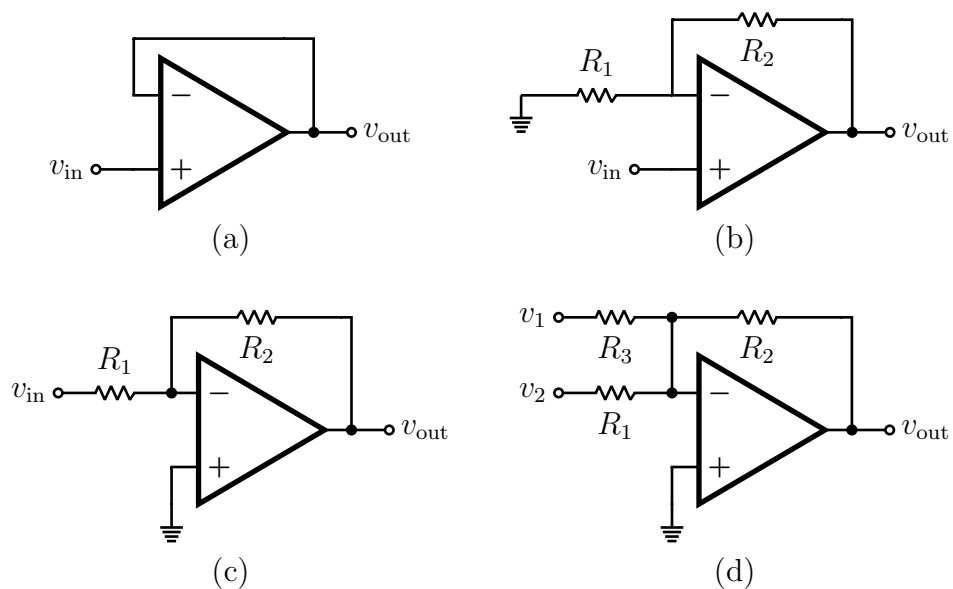


Figure 3: Common Op-Amp circuits: (a) Follower, (b) Non-Inverting Amplifier, (c) Inverting Amplifier, and (d) Adder.

no resistors, and it confirms that your power supplies, inputs, and outputs, are all connected in the right place before moving on to a more complicated circuit.

Next build the non-inverting amplifier by adding resistors R_2 and R_1 as in Fig. 3b, and confirm the gain. Then build the inverting amplifier of Fig. 3c by interchanging the connection points for v_{in} and ground and confirm the gain.

For the adder, or summing amplifier, in Fig. 3d add resistor R_3 and provide an additional input using the second channel of your function generator with an AC signal with $V_{RMS} = 200$ mV at a frequency of 5 kHz. Does the resulting output make sense?

4 Log Amplifier

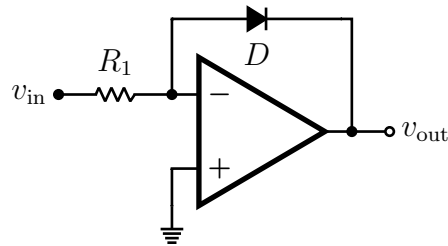


Figure 4: Log amplifier

The nifty circuit in Fig. 4 provides logarithmic output:

$$v_{out} = -nv_T \log \left(\frac{v_{in}}{I_o R_1} \right)$$

Build it from your adder by removing the second input resistor (R_3) and replacing the feedback resistor (R_2) with a 1N4001 diode. You cannot take the log of a negative number, so drive the circuit with an offset AC signal with a minimum of 0 V and a maximum of 2 V. Measure v_{in} on channel 1 of your scope with DC coupling. Measure v_{out} on channel 2 of your scope with DC coupling and invert set to “On”. View the output in XY mode and confirm the logarithmic shape.

5 Differential Follower

The circuit in Fig. 5 is a differential amplifier which reduces to a differential follower:

$$v_{out} = v_{in}^+ - v_{in}^-$$

when $R_1 = R_2$. Build the circuit using $R_1 = R_2 = 22$ k Ω and confirm it’s operation using two input signals from your function generator. **Once you have this circuit working, save it for use later on in the lab!**

6 Current Source

Use a **second** LM741 op-amp and a 2N3906 PNP transistor to build the current source shown in Fig. 6. Use $R_2 = R_3 = 10$ k Ω and $R_1 = 47$ k Ω . Test using $R_L = R_1$ and $R_L = R_1/10$, and $R_L = 0$.

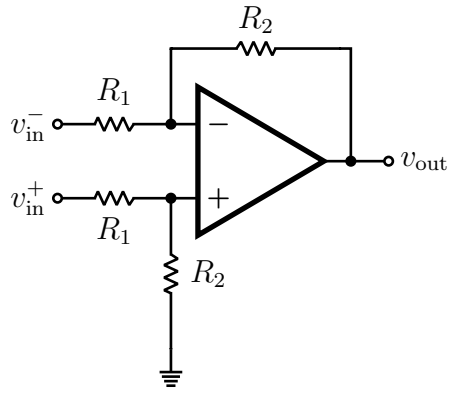


Figure 5: A differential amplifier.

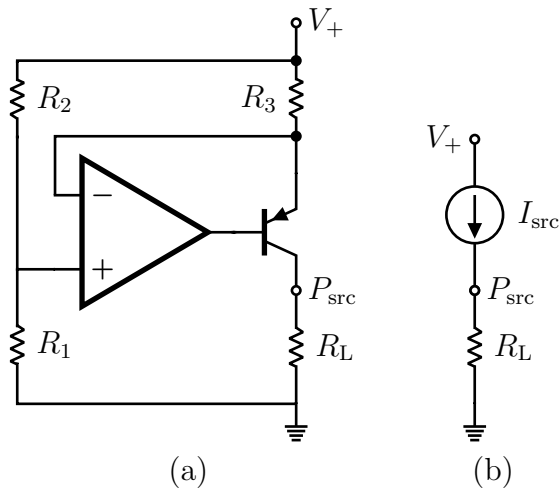


Figure 6: A current source (a) as build, and (b) modeled as an ideal current source.

You should see a nearly constant current through the resistor R_3 . **Once you have this circuit working, save it for use later on in the lab!**

Take a moment to marvel at the power of negative feedback. The op-amp knows absolutely nothing about diode drops and transistor transconductance. And yet, simply because of feedback, it manages to hold the voltage of the transistor base at exactly the right point to provide the desired current. Feedback belongs alongside resonance on our list of humanity's greatest tricks!

7 Transistor Curve Tracer

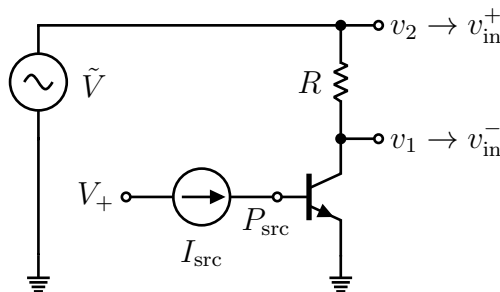


Figure 7: A DIY transistor curve tracer.

In this section, you will build a transistor curve tracer to observe transistor curves using your oscilloscope.

Connect the emitter of an 2N3904 NPN transistor, the device under test (DUT), to ground and drive the base with your current source from the previous section. Confirm that a diode drop is found across the $B-E$ junction. Next, drive the collector of the DUT through a $100\ \Omega$ resistor with your function generator set to provide an offset AC signal with minimum $0\ \text{V}$ and maximum $5\ \text{V}$.

The transistor curve for I_C versus V_{CE} at fixed I_B will result if you monitor $v_2 - v_1$ (proportional to I_C) versus v_1 (V_{CE}) on your oscilloscope. Connect the ground shield clips from both scope probes to ground, and connect v_1 to channel 1 on your scope. The differential follower from the preceding section is needed to provide the voltage $v_2 - v_1$ referenced to ground, suitable for viewing using the single remaining oscilloscope probe. Connect v_1 to the inverting input of your differential amplifier, and v_2 to the non-inverting input. Then connect the output of the differential follower to the tip of the channel 2 scope probe. With the scope in $X-Y$ mode, a transistor I_C versus V_{CE} should result.

By monitoring the voltage across R_3 in your current source (Fig. 6) you can monitor the current into the base of the transistor. Adjusting the DC supply voltage will (via the voltage divider used to bias the current source) will adjust the fixed current sent to base of the DUT, resulting in a different curve in V_{CE} versus I_C .

Adjust the DC supply voltage to provide $50\ \mu\text{A}$ of current to the base. Then adjust the DC supply to provide $100\ \mu\text{A}$ of current to the base. You should observe the plateau of the transistor curve to increase by a factor of two.

If time permits, try to estimate both β and the early voltage of this transistor using the observed curves.

8 Lab Report

Your report should include all of your measurements and comparisons with your calculations.