

1 Alternative Design

This is an alternative for the RF amplifier stage.

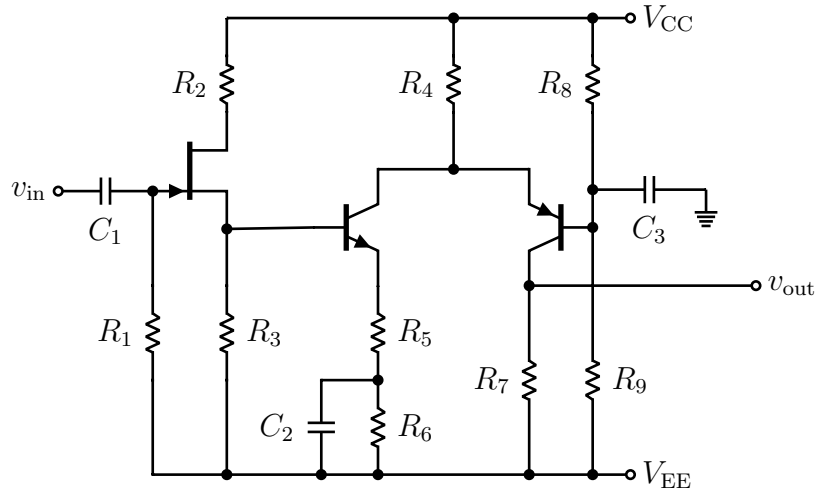


Figure 1: Folded cascode amplifier with FET input buffer.