

Lab 5: The Transistor

P116A, Fall 2018

1 Pre-lab Calculations

- 1) Calculate the expected gain for the circuit in Fig. 3. Assume the capacitance C is infinitely large, so that you can neglect the voltage divider at the input.
- 2) Calculate the expected gain for the circuit in Fig. 4. Assume the capacitance C is infinitely large, so that you can neglect the voltage divider at the input.

2 Introduction

In this lab, you will build three common circuits which make use of transistor: a transistor switch, an emitter follower, and a common-emitter amplifier. You will measure their performance and compare with the design parameters.

3 Transistor Switch

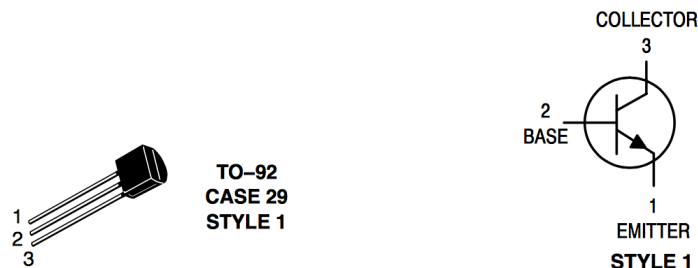


Figure 1: The TO-92 Style 1 package used for some discrete transistors, including the 2N3904 transistor used throughout this lab. Note that not all transistors use the same pinout, even if they are in the TO-92 package.

In this section you will build a diode switch to control a light emitting diode (LED). You will use a 2N3904 NPN transistor in the TO-92 Style 1 package as shown in Fig. 1.

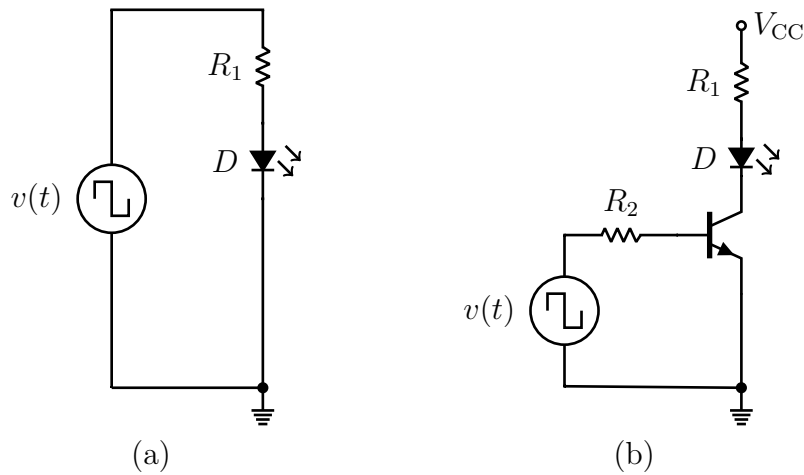


Figure 2: Circuits for driving an LED (a) directly from the signal voltage and (b) using a diode switch.

First setup the function generator to produce a square wave at a frequency of 2 Hz with maximum voltage of 10 V and a minimum of 0 V. Build the circuit in Fig. 2a using a green diode for D and $R_1 = 820 \Omega$. You should observe the LED blinking brightly.

If signals (in this case provided by the function generator) were always large enough to drive loads (in this case the LED and resistor) there would never be a need for amplification. But it isn't always so easy! Simulate a weak signal by turning down the maximum voltage provided by the function generator to 2 V. The LED blinking will be no longer visible.

Now build the circuit in Fig. 2b using a 2N3904 NPN transistor, $R_1 = R_2 = 820 \Omega$ and the same green diode. The function generator will still provide the weak square wave $V(t)$, but provide $V_{cc} = 10 \text{ V}$ from your bench-top DC power supply. You should now observe the LED blinking brightly again, powered by the bench-top supply, but controlled by the weak signal provided by the function generator.

4 Emitter Follower

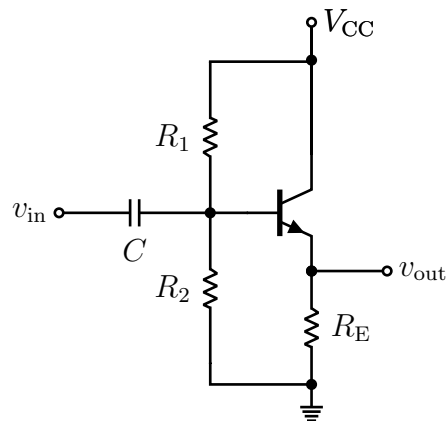


Figure 3: An emitter follower circuit.

In this section, you will build the emitter follower circuit of Fig. 3. Use a 2N3904 NPN transistor, $R_1 = 5.6 \text{ k}\Omega$, $R_2 = 8.2 \text{ k}\Omega$, $R_E = 4.7 \text{ k}\Omega$, and $C = 1 \text{ }\mu\text{F}$. Provide $V_{CC} = 10 \text{ V}$ from your bench-top DC power supply. The input signal v_{in} is provided by your function generator, initially set to provide a 10 kHz sine wave with $V_{pp} = 5 \text{ V}$.

Setup your oscilloscope to measure the voltage v_{in} and v_{out} simultaneously. Use DC coupling for v_{in} but use AC coupling for v_{out} . Estimate the gain. Using your DMM, also measure the quiescent point (DC offset) for the output v_{out} .

Now, with both channels on the same voltage scale, chosen to be as large as possible while still displaying the entire waveform, use the scopes XY mode and observe the response. Step through different functional shapes (square, sine, arbitrary). What is the gain? How linear is your follower?

5 Common Emitter Amplifier

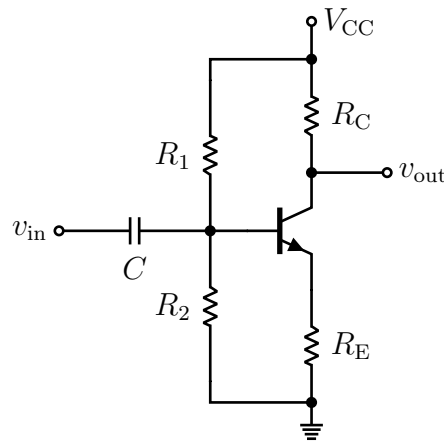


Figure 4: A common emitter amplifier.

In this section, you will build the common emitter amplifier circuit of Fig. 4. Use a 2N3904 NPN transistor, $R_1 = 18 \text{ k}\Omega$, $R_2 = 3.3 \text{ k}\Omega$, $R_E = 680 \text{ }\Omega$, $R_C = 3.9 \text{ k}\Omega$ and $C = 1 \text{ }\mu\text{F}$. Provide $V_{CC} = 10 \text{ V}$ from your bench-top DC power supply. The input signal v_{in} is provided by your function generator, initially set to provide a 10 kHz sine wave with peak-to-peak voltage $V_{pp} = 1 \text{ V}$.

Setup your oscilloscope to measure the voltage v_{in} and v_{out} simultaneously. Use DC coupling for v_{in} but use AC coupling for v_{out} .

Measure the gain $G = v_{out}/v_{in}$. Using your DMM, also measure the quiescent point (DC offset) for the output v_{out} . Now setup the scope so that the input v_{in} has a voltage scale five times smaller than the output v_{in} . Use the XY mode and observe the response. What is the gain? How linear is the amplifier?

6 Lab Report

Your report should include all of your measurements and a comparison with your calculation.